



SWINGING



SOCIALIZING

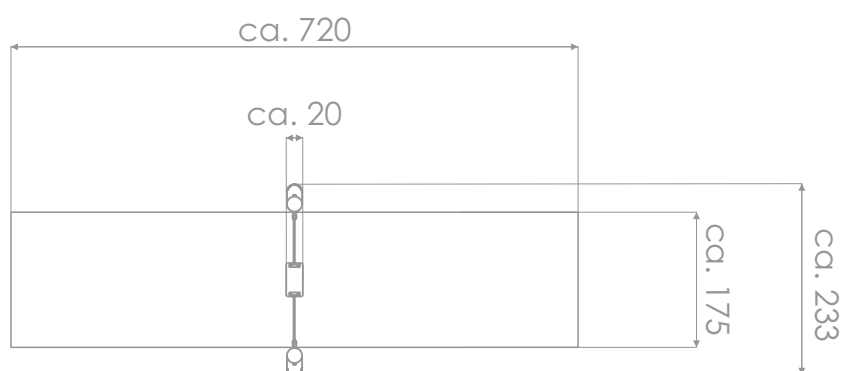


INFORMATION ABOUT THE PRODUCT

Dimensions	ca. 20 x 233 cm
Safety zone	ca. 720 x 175 cm
Overall height	ca. 235 cm
Free fall height	ca. 134 cm
Amount of users	1 person
Product complies with EN 1176-1:2017-12	YES
Availability of spare parts	YES
Age range	3-12
The biggest element:	305 cm
The heaviest element:	105 kg
<small>According to EN 1176-1:2017-12 norm, the product requires applying a safety surface according to the product's free fall height.</small>	

Visualisation is for reference only,
actual appearance may vary.





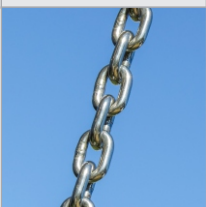
SCALE 1:100

MATERIALS:

NATURAL ROBINIA WOOD



ATTESTED 6 MM STAINLESS STEEL CHAINS



THE SEATS ARE MADE WITH AN ALUMINUM CONSTRUCTION COVERED WITH A SOFT EPDM RUBBER

